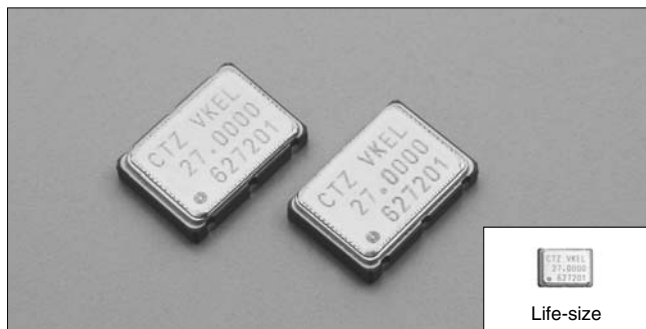


CSX-750V SERIES

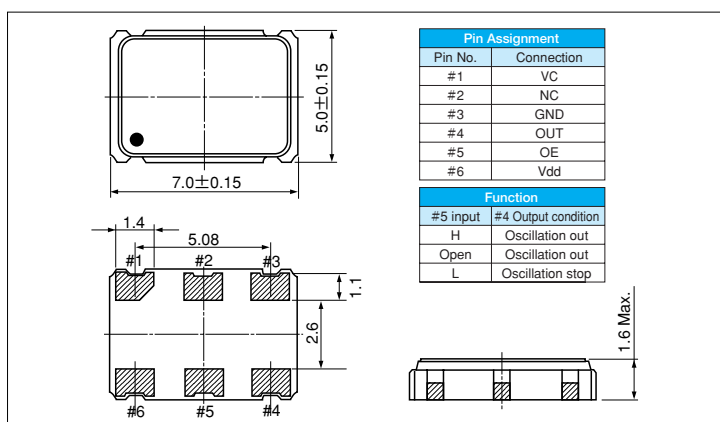
2000pcs/reel



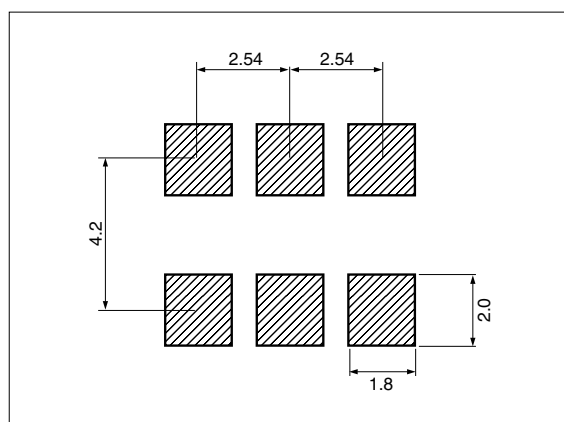
FEATURES

- Available to supply voltage 5.0V or 3.3V.
- Automatic mounting and reflowable type.
- Most appropriate for communication devices and other equipment.
- Output enable function (OE) can be used for low power consumption.

DIMENSION [mm]



SOLDER PAD LAYOUT [mm]



STANDARD SPECIFICATIONS

* Model is determined by the supply voltage and the frequency stability.

| Item | Model | CSX-750 VJ(*) M | CSX-750 VK(*) L |
|-----------------------------|----------------------|--|---------------------------------|
| Frequency Range | | 2.000MHz ~ 40.000MHz | |
| Supply Voltage | | Vdd : 5.0V±0.5V | Vdd : 3.3V±0.3V |
| Frequency Stability | (*) | B : ±50ppm, C : ±100ppm, E : ±50ppm(−40°C~+85°C), F : ±100ppm(−40°C~+85°C) | |
| Operating Temperature Range | | −20°C~+70°C (−40°C~+85°C) | |
| Storage Temperature Range | | −55°C~+125°C | |
| Pulling range | | M : ±100ppm Min. / Vc=2.5±2.0V | L : ±90ppm Min. / Vc=1.65±1.65V |
| Frequency control voltage | | 2.5±2.0V (at 25°C) | 1.65±1.65V (at 25°C) |
| Current consumption | | 15mA Max. | 10mA Max. |
| Disable current | | 10mA Max. | 6mA Max. |
| Linearity | | 10% Max. | |
| Duty | CMOS level (1/2 Vdd) | 45~55% | |
| Output Voltage | V _{OH} | Vdd−0.4V Min. | |
| | V _{OL} | 0.4Vdd Max. | |
| Output Load | | CMOS 30pF Max. | |
| Rise and Fall Time | | 6 nsec Max. | |
| Start-up time | (tr,tf) | 4 msec Max. | |
| Modulation band width | | 15kHz Min. (Gain−3dB) | |
| Phase Noise | | −120dBc/Hz Max. (Offset 1kHz) | |